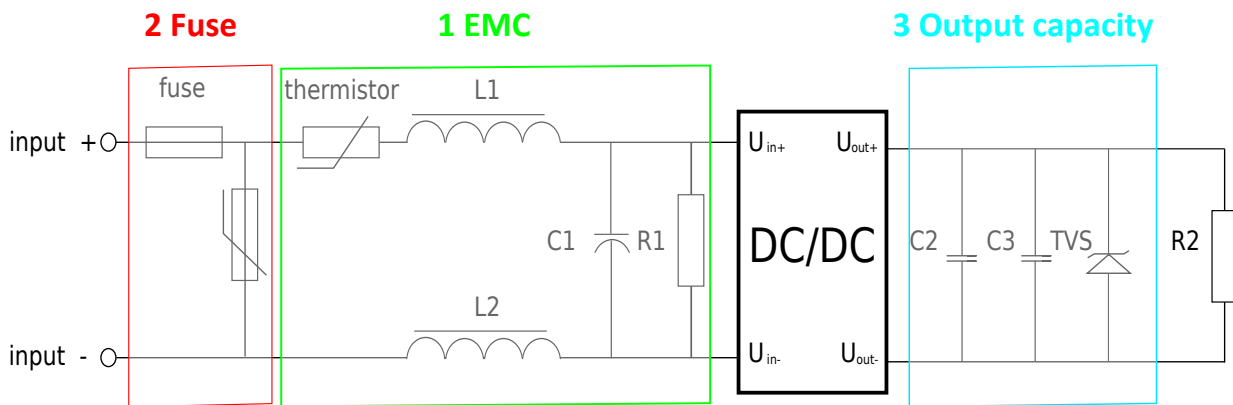




Why to chose BKE power supply?

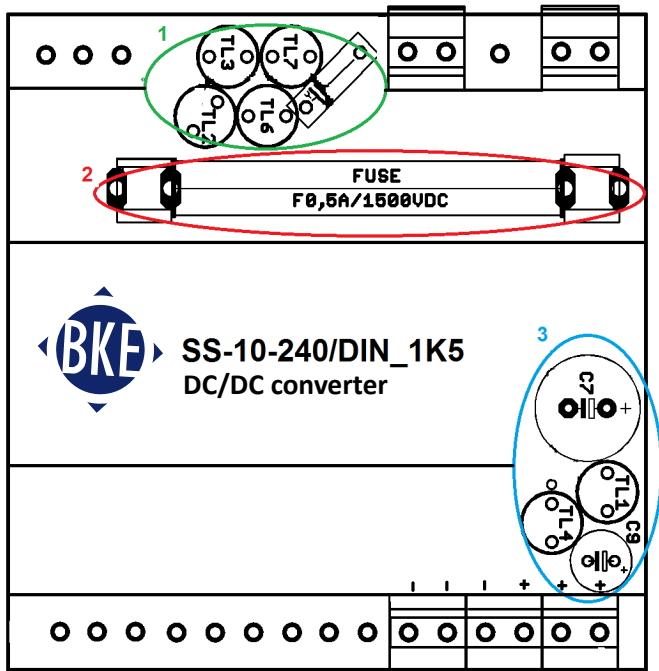
Common solution

Most DC / DC converters **need additional** components (like **fuse**, **EMC**, **Output capacity**) for full functionality. This raises the initial cost and installation difficulty.



Recommended additional components for DC / DC converter.

BKE solution



Highly reliable BKE power supplies allow installation **without any additional components**. Our solution saves time and cost. With **5 years warranty**.

- 1. **EMC** - BKE power supplies contain an EMI filter and meet EU requirements for EMC without any external components.
- 2. **Fuse** - BKE power supplies include internal 1000 V (1500 V) fuse, OVP input protection. They meet EU safety standards without any external components.
- 3. **Output capacity** - BKE power supplies have an output circuit to reduce output voltage ripple including OVP protection without any external components.